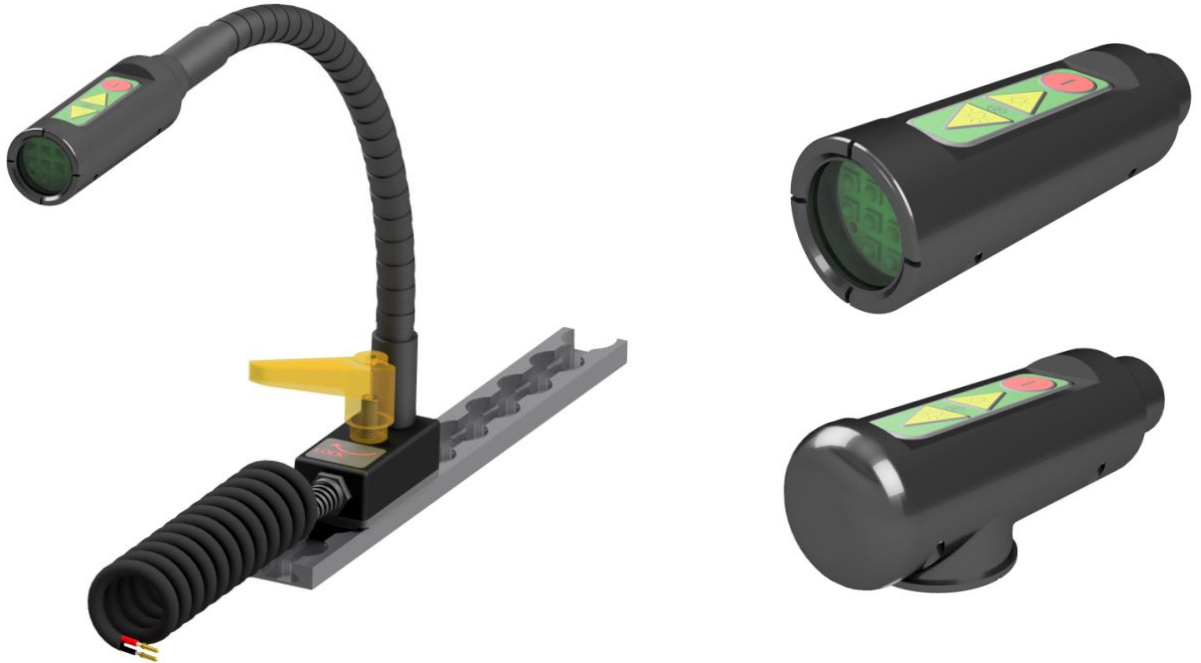


LED Gooseneck Light



The LED Gooseneck Light is designed for use in a variety of applications, including use as both a medical and map reading light. Its flexible neck enables it to be easily positioned and its simple to use 3 buttons allow it to be used with ease.

- Dimmable
- NVIS Friendly
- NVIS compatible option available
- Input voltage 18-28 VDC
- Sealing rated to IP54
- Primary colour – white 5600k
- Secondary lighting colour options – red, green
- Variety of neck lengths available
- Straight and angled head available
- A variety of interface solutions available
- Straightforward controls – On/Off, brighter, dimmer

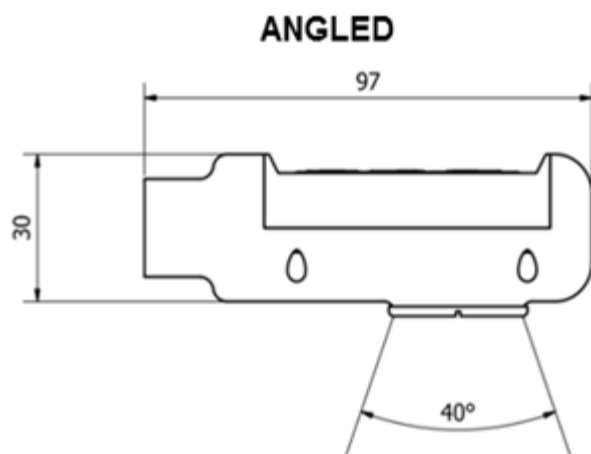
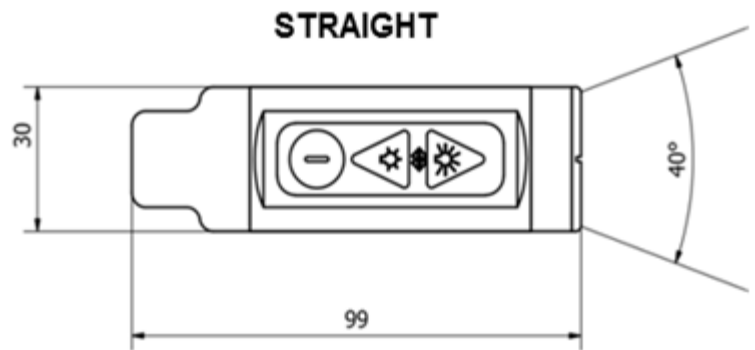
TECHNOLOGY
YOU
CAN
TRUST

Paramount Panels Inc
1531 East Cedar Street
Ontario, California
91761
Tel: (909) 947-8008
Fax: (909) 947-8012
www.paramountpanels.com

PARAMOUNT PANELS

Specification:

- Can be supplied with a variety of connectors
- A variety of interface options are available for mounting in various locations (contact manufacturer for more details)
- The neck may be supplied in lengths of 250mm, 500mm
- The primary white light is of colour temperature 5600k
- Has a primary white light intensity of 400 lux at 0°
- 3 Buttons contained on the top of the light with clear markings to show their function – Power/cycle lights, increase intensity, decrease intensity
- It may be supplied with a coiled 22 gauge cable 1.5m in length or with a shorter, straight cable
- The optional coloured lights may be cycled using the power button
- The set intensity is retained internally for when the unit is next turned on
- A light weight of 350g



TECHNOLOGY
YOU
CAN
TRUST

Paramount Panels Inc
1531 East Cedar Street
Ontario, California
91761
Tel: (909) 947-8008
Fax: (909) 947-8012
www.paramountpanels.com